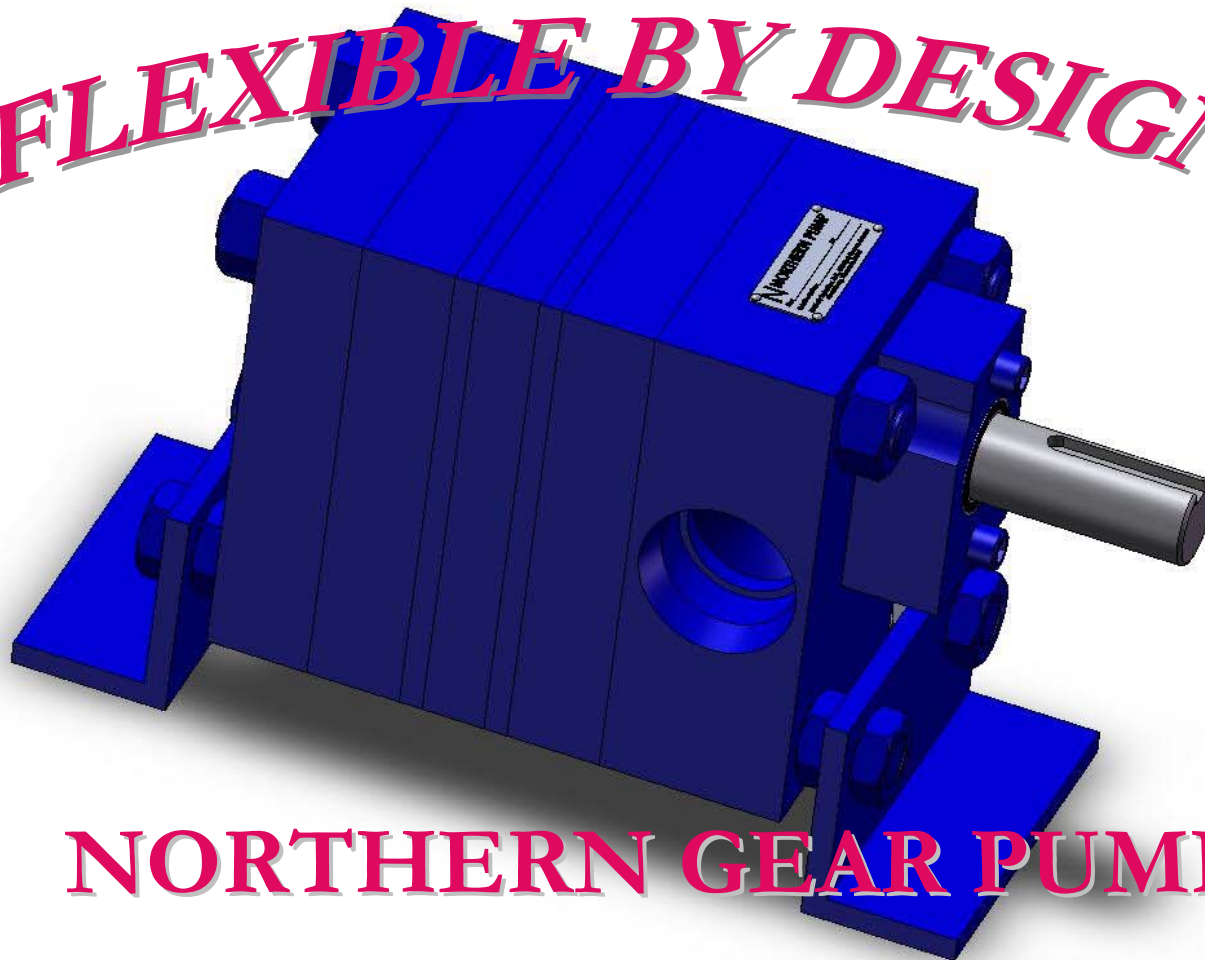


Northern Pump Options

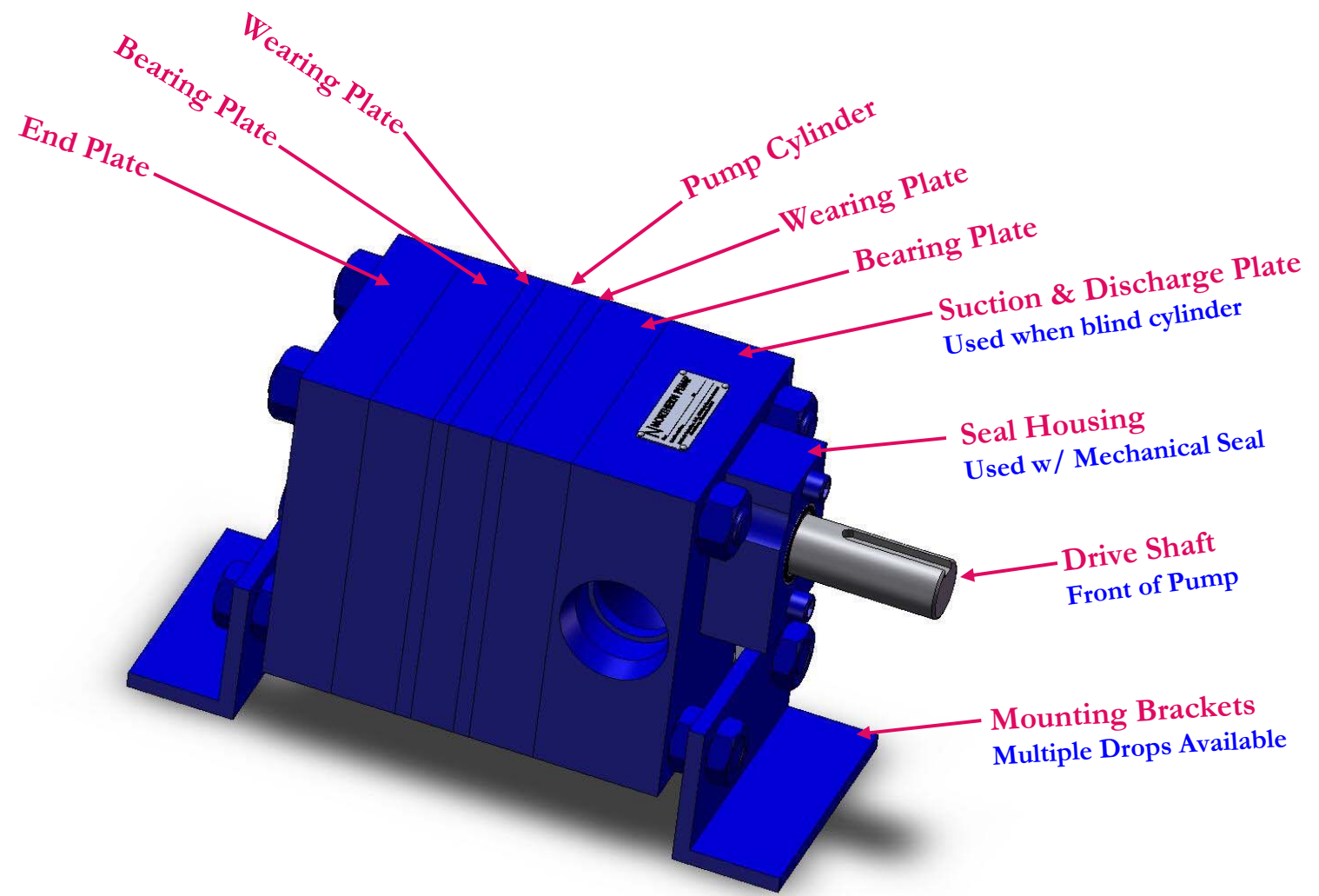
Northern Pump
Division of McNally Industries, LLC

FLEXIBLE BY DESIGN

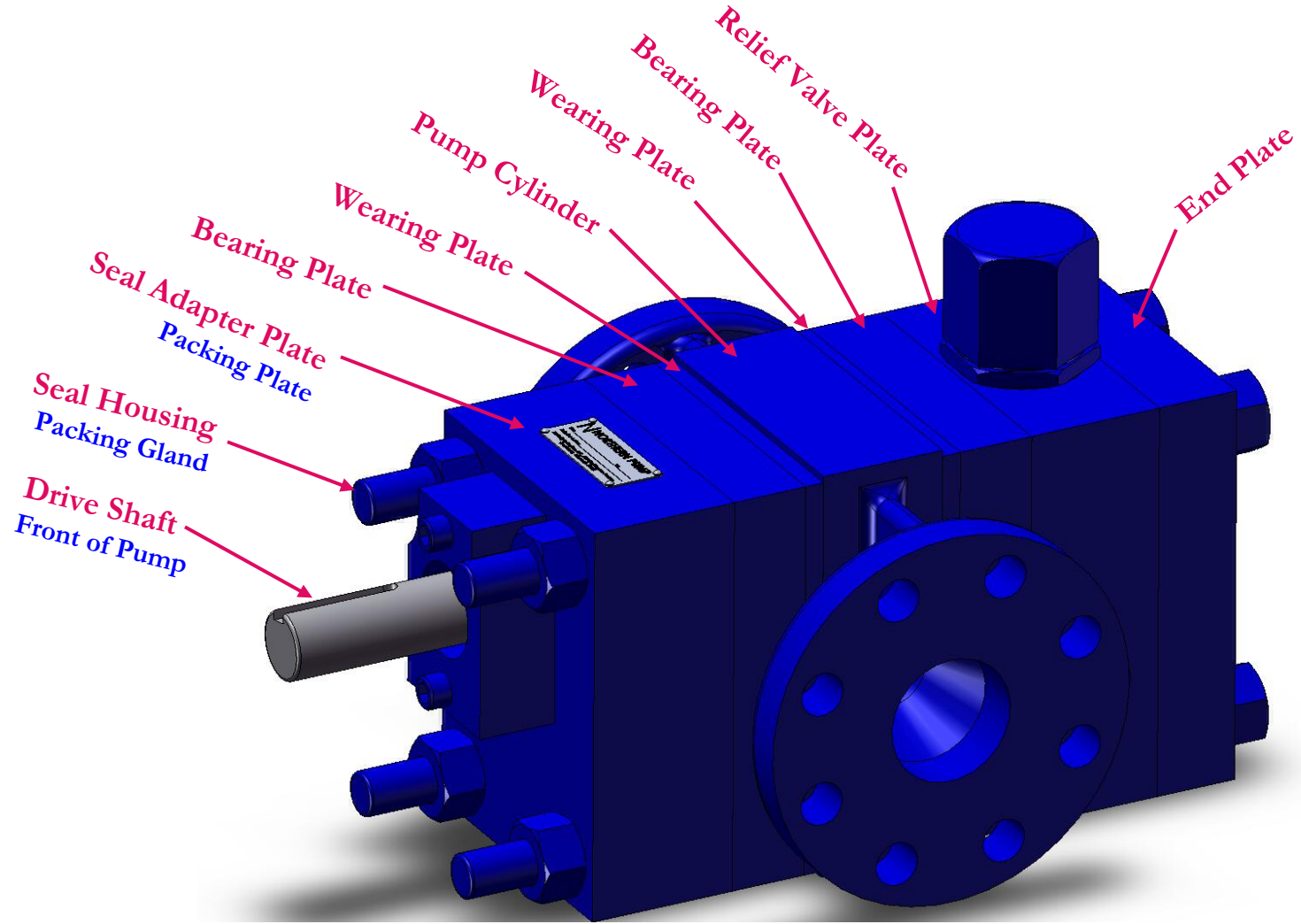


NORTHERN GEAR PUMPS

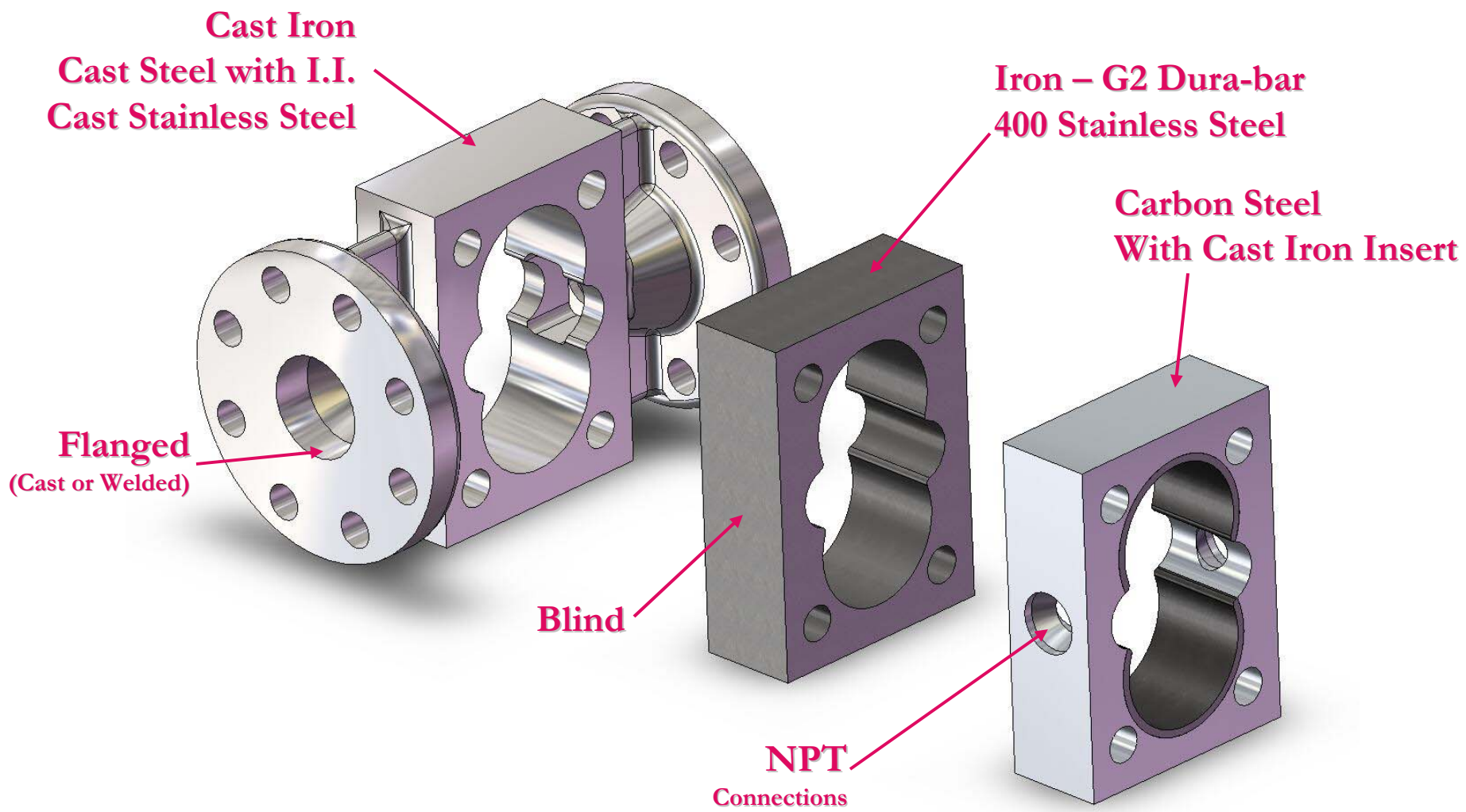
Modular Pump Construction



Modular Pump Construction



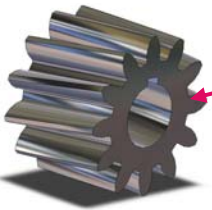
Pump Cylinders



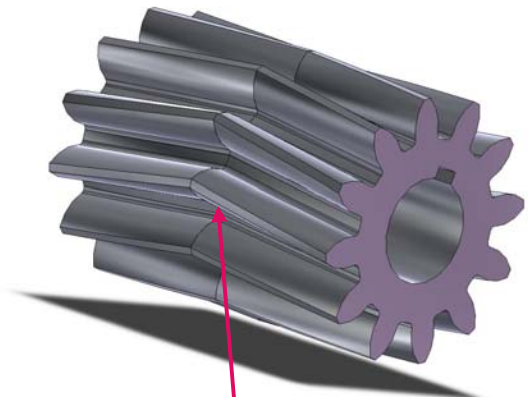
Helical Pump Gears



8620 AQ Alloy Steel
Quenched, Tempered, and Carburized
Standard Applications



Nitriding Steel – 135 Modified
Quenched, Tempered, and Carbon Nitrided
Higher Temperatures – Higher Wear



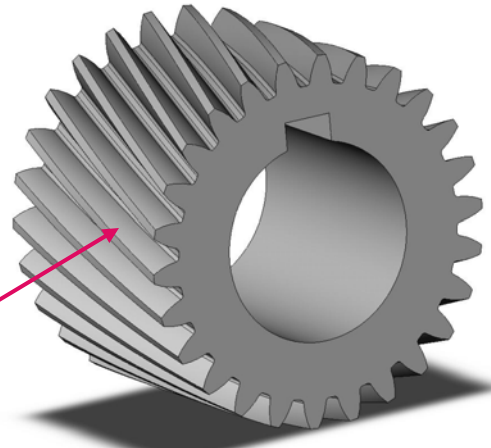
Herringbone Gear Assembly
High Thrust Applications



Stainless Steel – 440C or 17-4PH
Corrosion Resistance

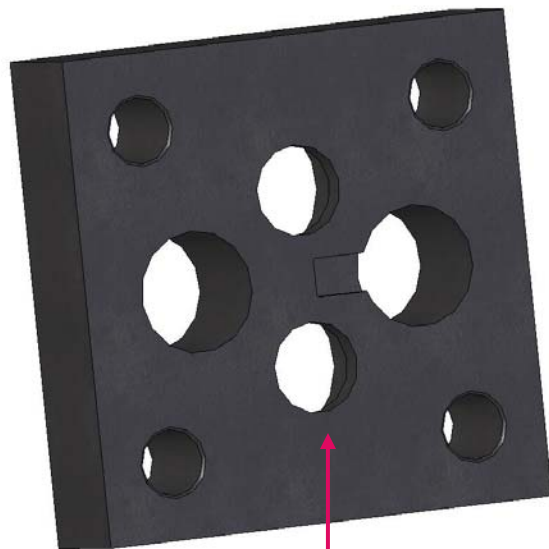


Floating Gears
Low Flow Spur Gears

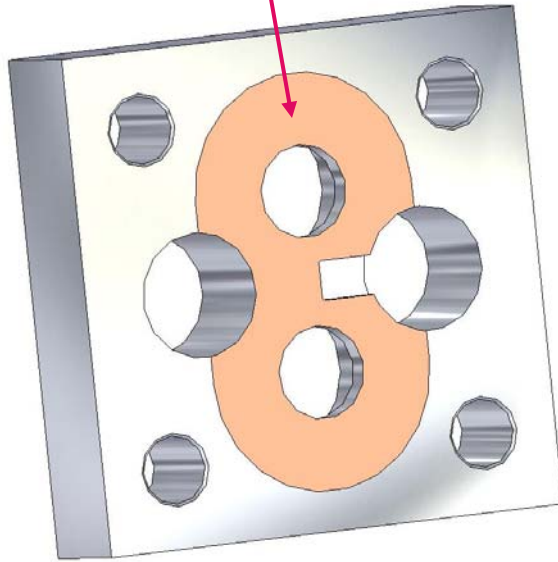


26 Tooth Fine Pitch
Pulse Free Flow Technology

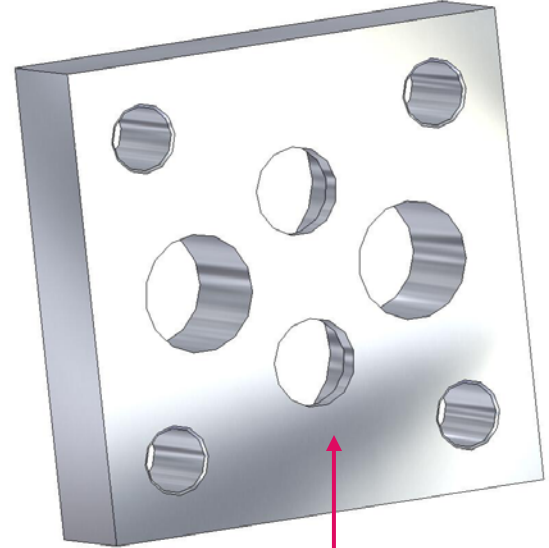
Pump Bearing Plates



Plain Cast Iron
Suitable Wear Surface
Standard



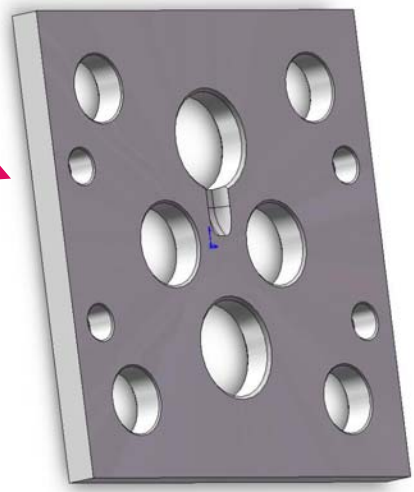
Bronze Inlay
Ideal Wear Surface
Optional



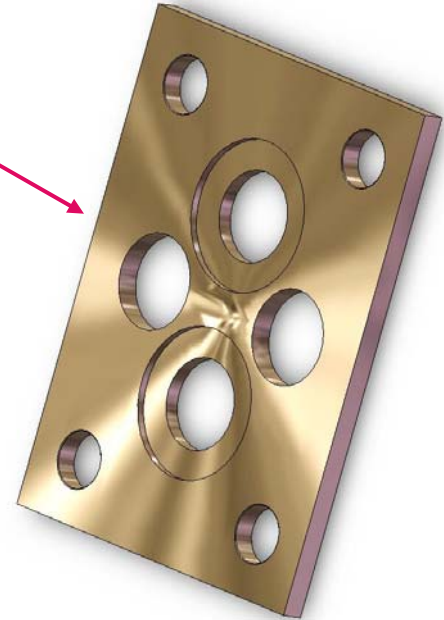
Plain Carbon Steel
Standard with Wearing Plates

Pump Wearing Plates

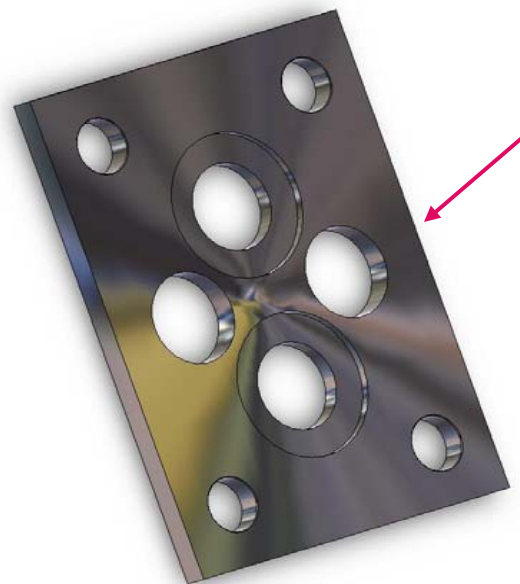
Coors Tec®
Ceramic Composite
Extreme Wear



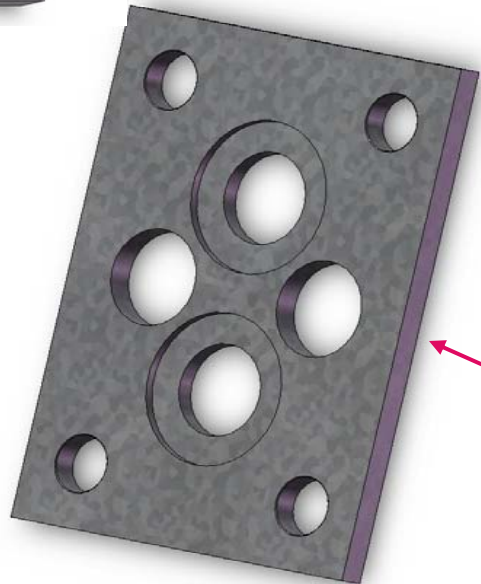
Ampco® 18 Bronze
Standard Wear Applications



440C
Stainless Steel
Corrosion Resistance

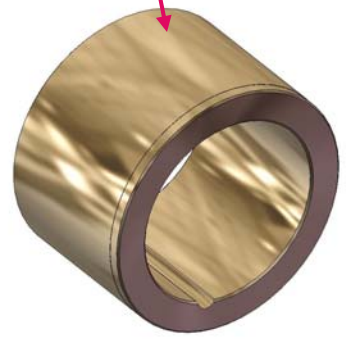


D2 Tool Steel
Nitrided
High Wear

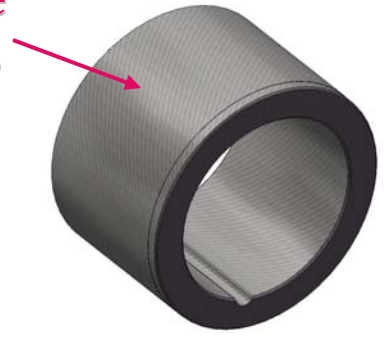


Pump Bearings

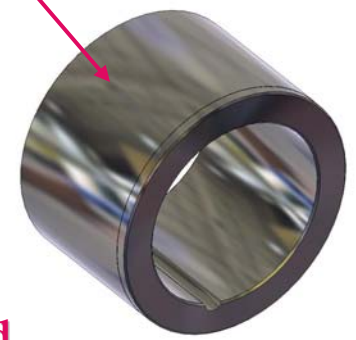
**Ampco® 18
Bronze**



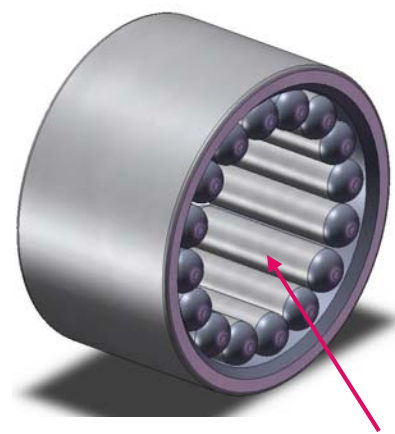
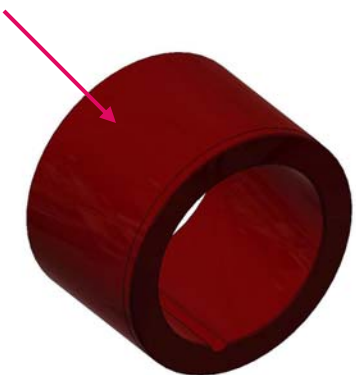
**Carbon Graphite
Sleeve Bearings**



**D2 Tool Steel &
Tungsten Carbide**



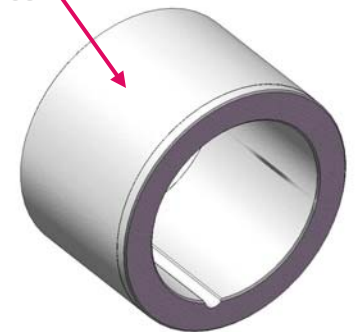
Rulon® Polymer
Low Speeds & Pressures
Corrosion Resistance



**ABMA Steel
Roller Bearings**

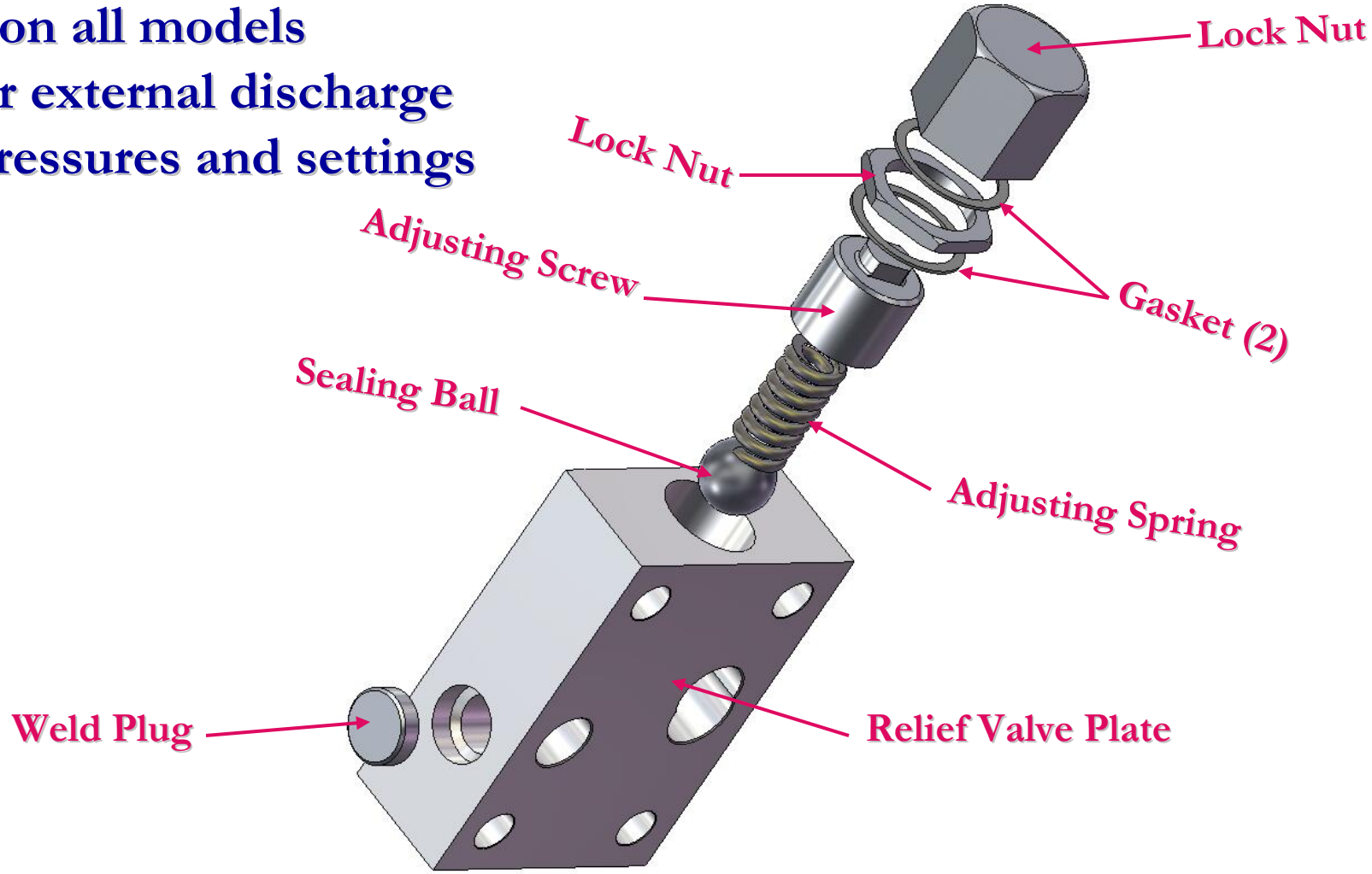
**Glass Filled
PTFE**

Low Speeds & Pressures
Corrosion Resistance



Relief Valve Assemblies

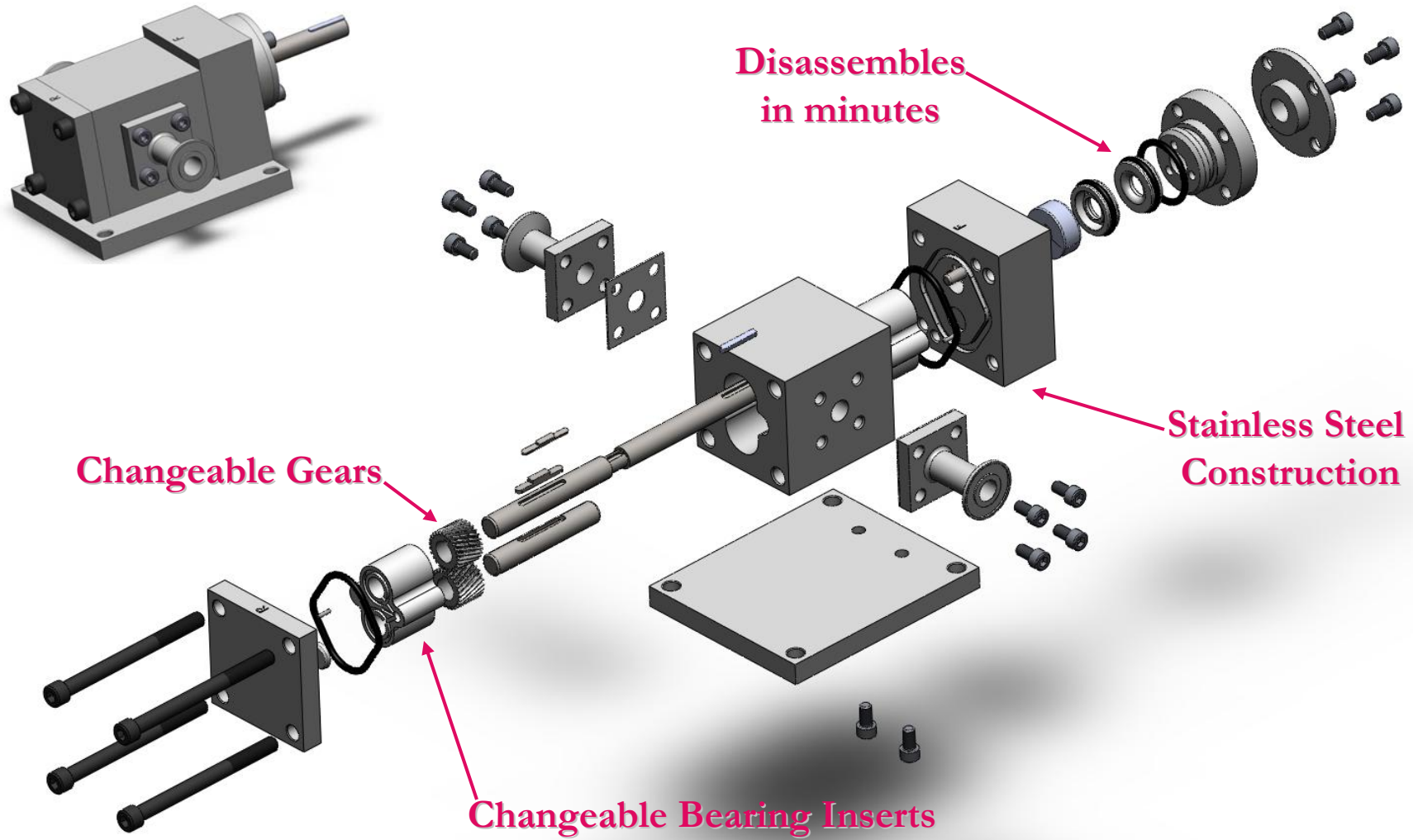
Available on all models
Internal or external discharge
Various pressures and settings



Northern Pump Options



NPC Series



Disassembles
in minutes

Changeable Gears

Stainless Steel
Construction

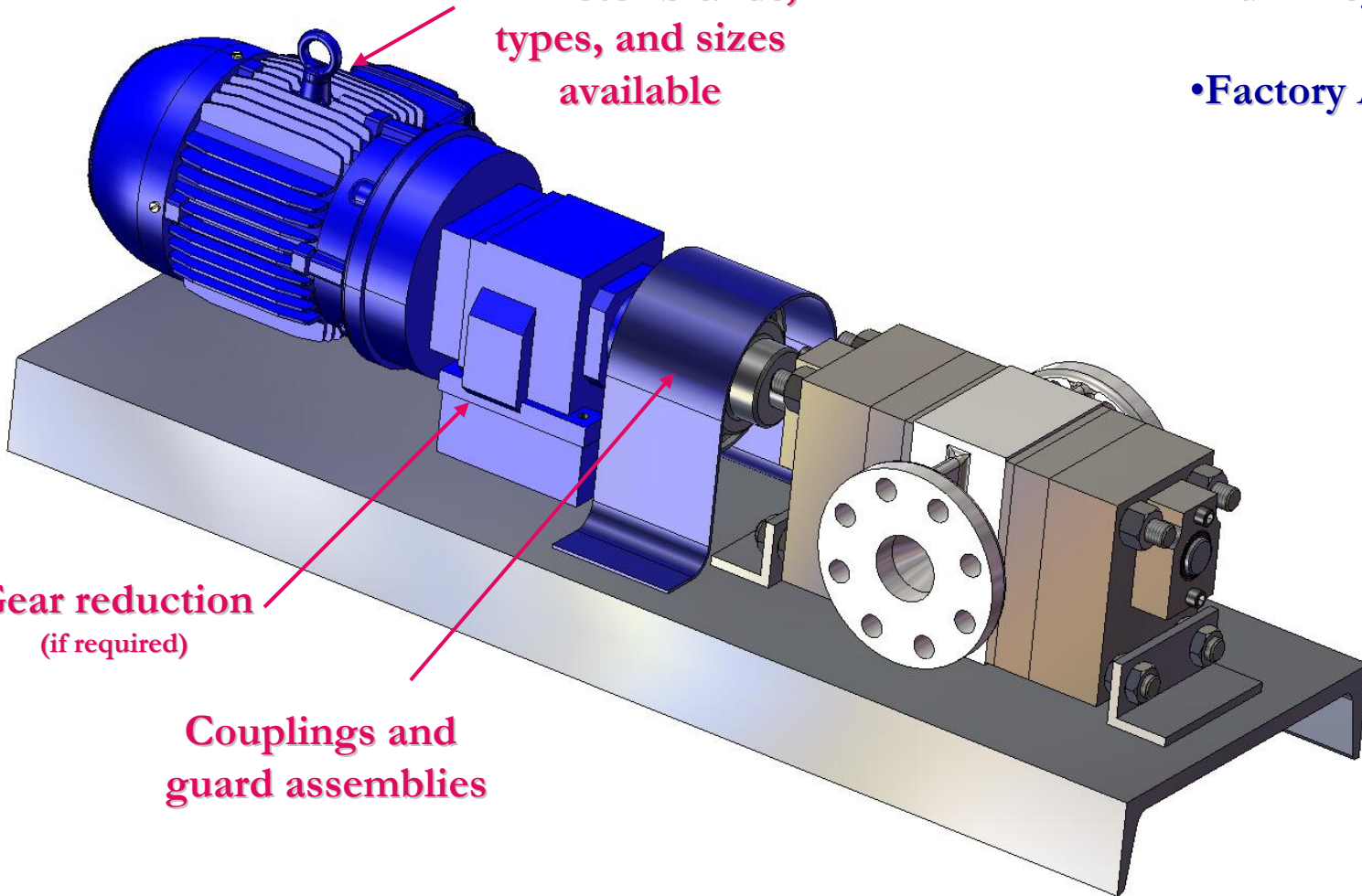
Changeable Bearing Inserts

Unit Assemblies

All motor brands,
types, and sizes
available

•Turn Key Solution

•Factory Alignment



Gear reduction
(if required)

Couplings and
guard assemblies

Other Pump Options

- Heating Jackets
 - Steam Jackets
 - Special materials of construction
 - Dual pump systems
 - Custom paints & coatings
 - C- Face mounting
 - Dowels and alignment tools
 - Clockwise / counterclockwise
 - Outboard bearing brackets
 - Special testing materials
- 